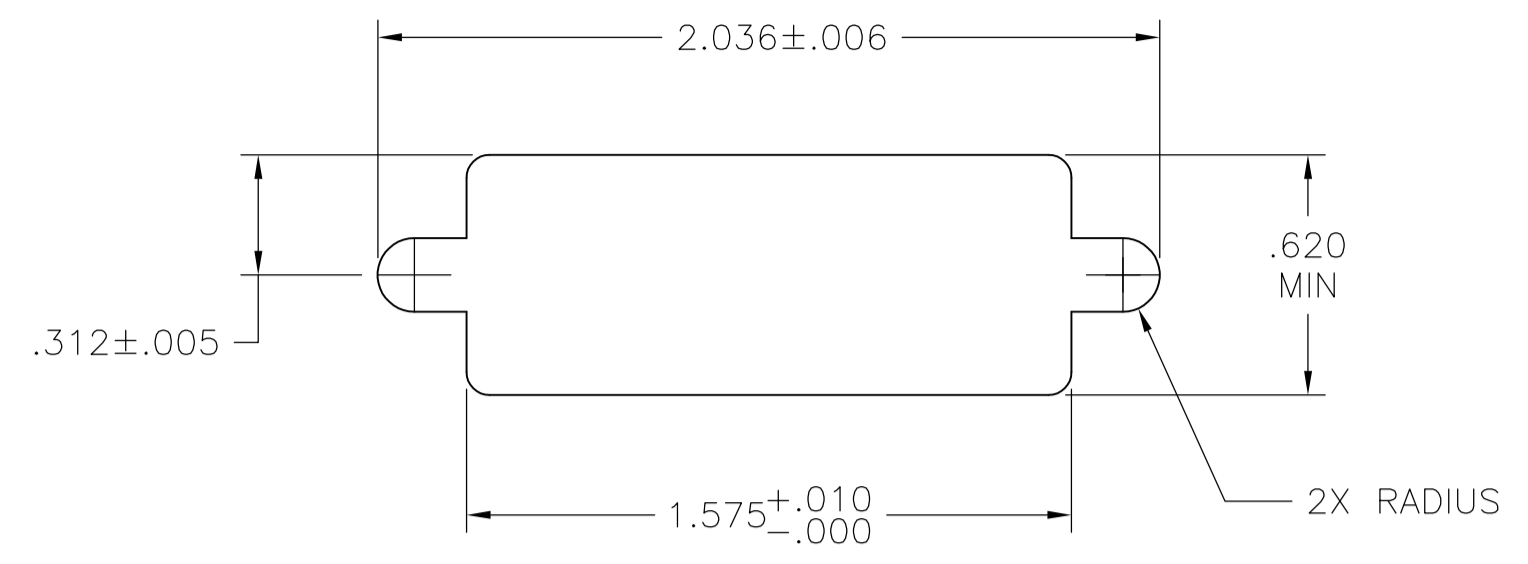
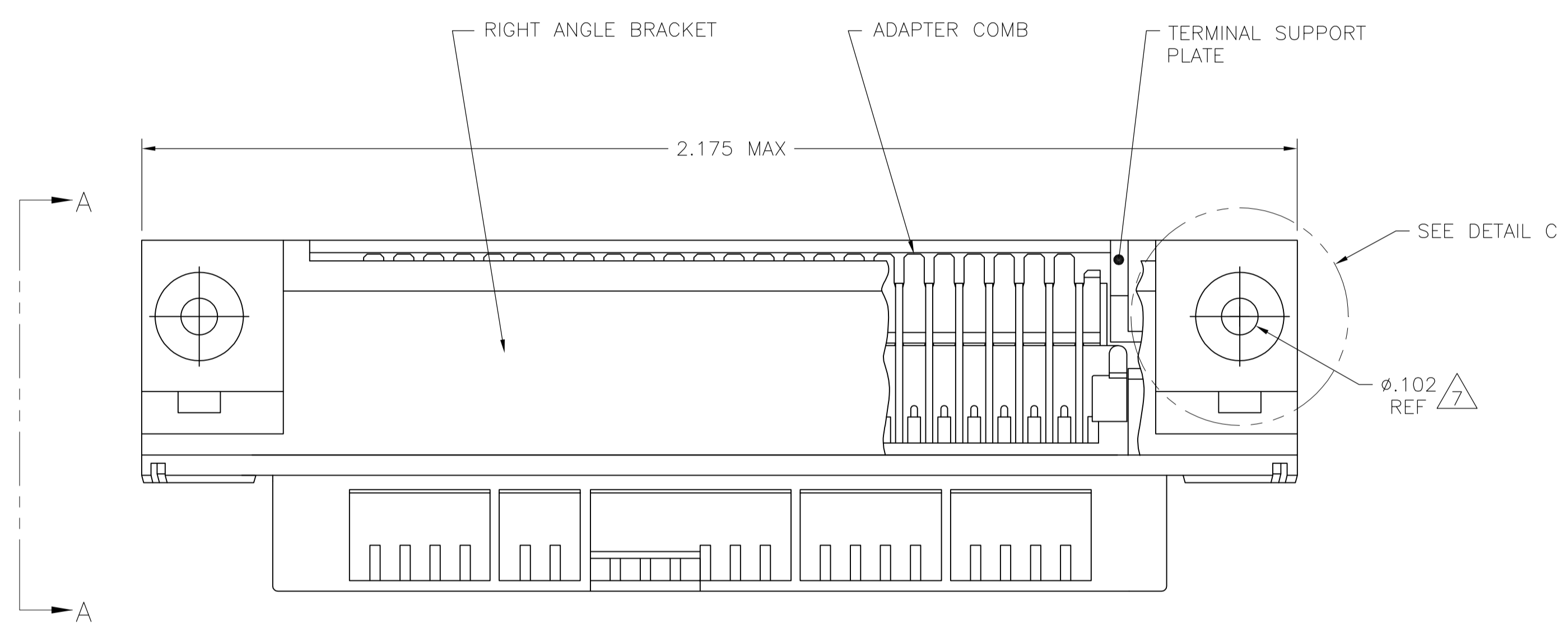


SUGGESTED PRINTED CIRCUIT BOARD MOUNTING DIMENSIONS

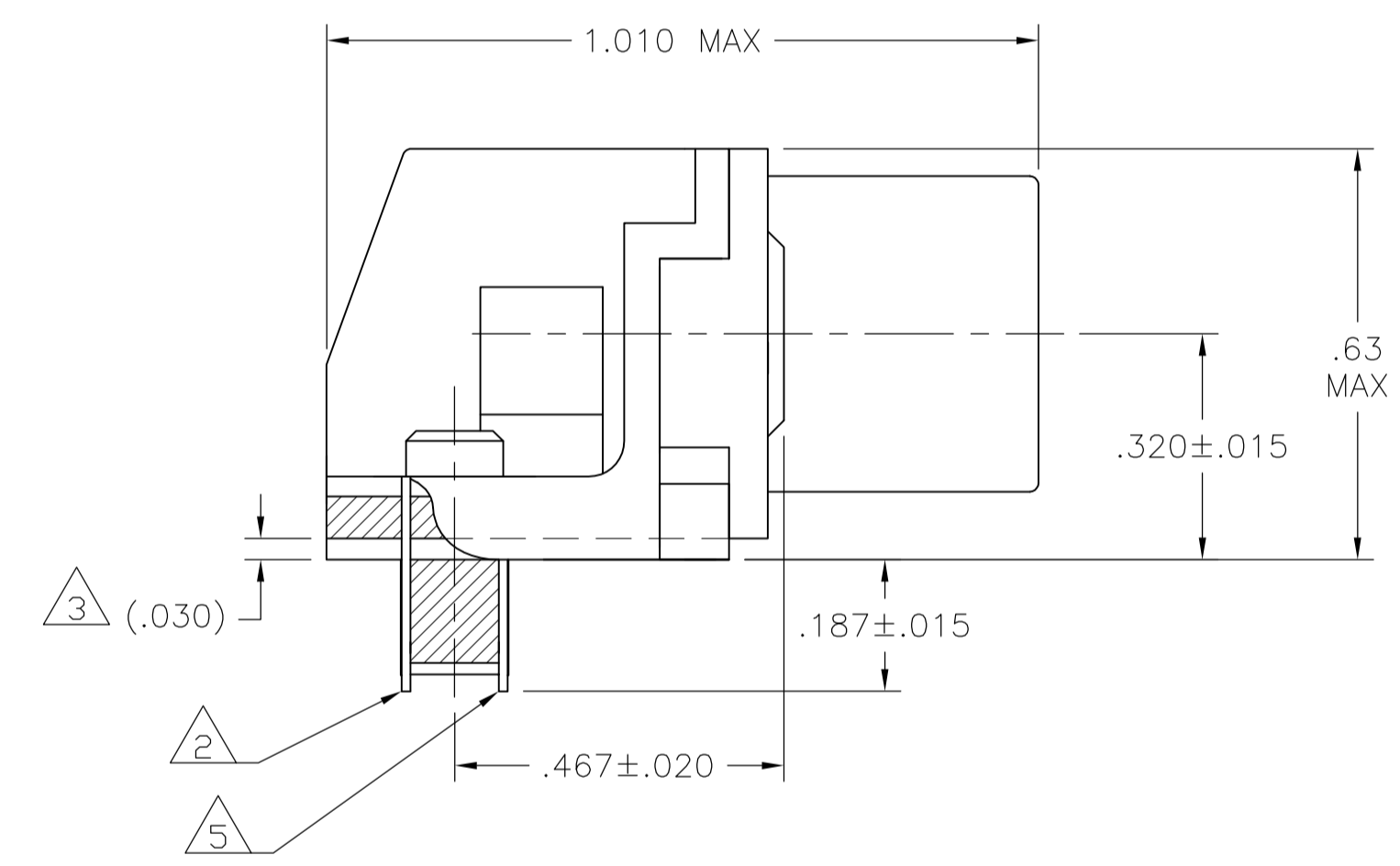


SUGGESTED PANEL CUTOUT FOR REAR PANEL MOUNTING WITH METRIC HARDWARE

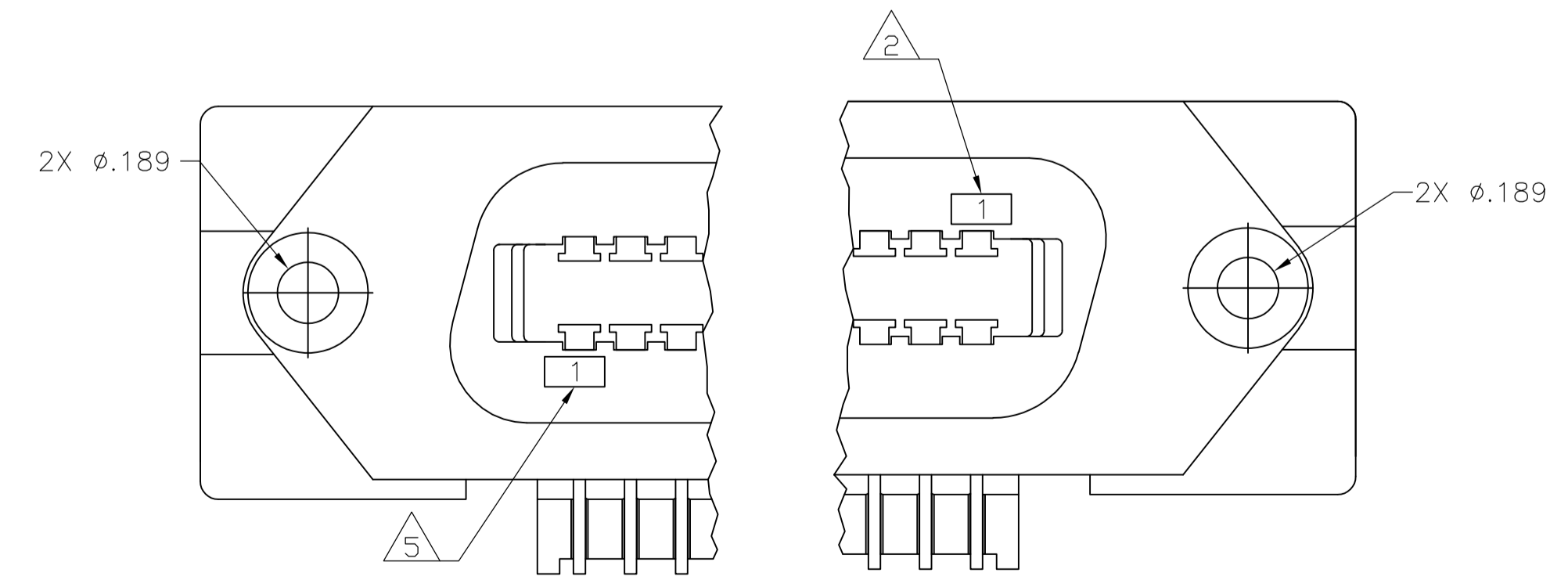
- 1 MATERIAL:
HOUSING, BRACKET, ADAPTER COMB & PLATE - THERMOPLASTIC, BLACK, 94V-0 RATED
TERMINALS - HIGH STRENGTH COPPER ALLOY PLATED WITH EITHER .000030 MIN GOLD
PLATE OR GOLD FLASH OVER PALLADIUM NICKEL PLATE, .000030 MIN TOTAL ON MATING
SURFACE. .000120 MIN TIN PLATE ON TAILS. ALL OVER .000050 MIN NICKEL
UNDERPLATE OVER ENTIRE TERMINAL.
- 2 TERMINAL 1 IS LOCATED IN THIS ROW FOR 5552791-1.
- 3 TERMINAL SUPPORT PLATE CLEARANCE FOR TERMINAL STRAIN RELIEF AND FLUX REMOVAL.
- 4 PANEL THICKNESS RANGE: .062
- 5 TERMINAL 1 IS LOCATED IN THIS ROW FOR 5552791-2 & -4.
- 6 DETAILS A & B ARE VIEWED FROM MATING SIDE OF RECEPTACLE ASSEMBLY.
- 7 FOR USE WITH A NO. 4 BT TYPE SELF TAPPING SCREW.



TOP VIEW

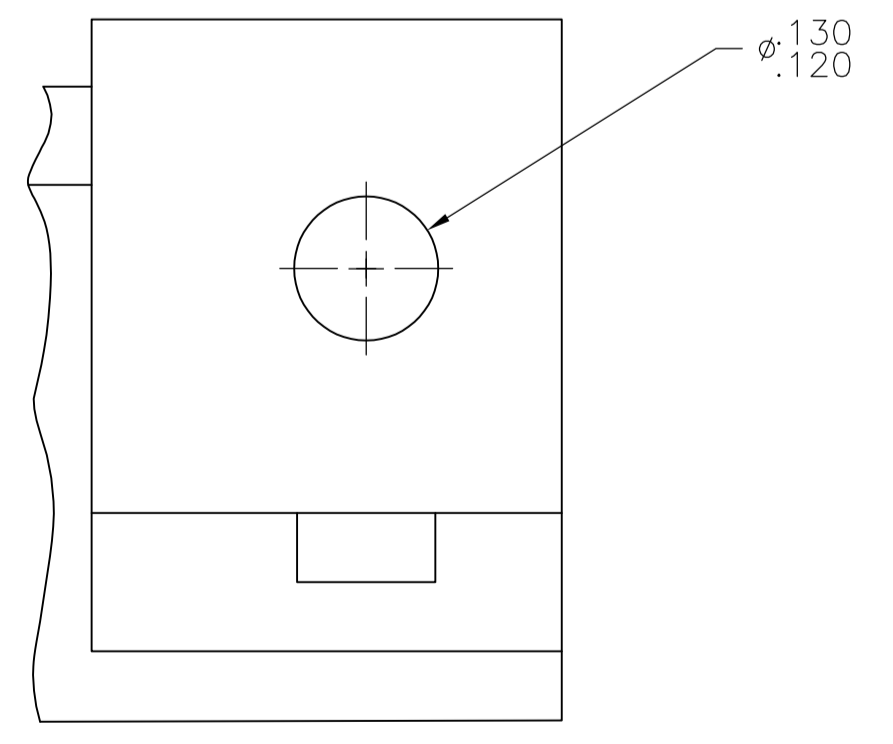


SIDE VIEW A-A SCALE 4:1



DETAIL B REVERSE ORIENTATION

DETAIL A STANDARD ORIENTATION



DETAIL C SCALE 6:1

THRU BOLT SEE DETAIL C	SEE DETAIL B	5552791-4
OBSOLETE SELF-TAPPING	SEE DETAIL B	5552791-2
SELF-TAPPING	SEE DETAIL A	5552791-1
TYPE OF MOUNTING	DESCRIPTION	PART NUMBER

THIS DRAWING IS A CONTROLLED DOCUMENT.		DWG: MCMASTER 16AUG05	Tyco Electronics Corporation Harrisburg, PA 17105-3608	
DIMENSIONS: INCHES		CHK: W. MILLHIMES 16AUG05	NAME: M. WALMSEY 16AUG05	
TOLERANCES UNLESS OTHERWISE SPECIFIED:		PRODUCT SPEC: RECEPTACLE ASSEMBLY, 24 POSN, RIGHT ANGLE, PRINTED CIRCUIT BOARD (CHAMP-LOK, THRU-BOLT & SELF-TAPPING, FOR USE WITH METRIC HARDWARE)		
0 PLC	± .005	APPLICATION SPEC: --		
1 PLC	± .002	SIZE: A1		
2 PLC	± .001	CAGE CODE: 00779		
3 PLC	± .0005	DRAWING NO: 5552791		
4 PLC	± .0002	WEIGHT: --		
ANGLES	± .0001	CUSTOMER DRAWING		
MATERIAL: 1		FINISH: 1		SCALE: 2:1 SHEET 1 OF 1 REV D